



KABA®

Public Systems & Solutions



Flexible management of entrance control

«On peak days our stadium is filled to overflowing: up to 45 000 fans come to follow the match live. Admitting such huge numbers of people within such a short space of time requires careful management and efficient systems are needed to ensure reliable checking of ticket validity and effective entry control. Kaba has created a different solution for each entrance, in each case taking into account the expected throughput rate and the required level of security.»

Public Systems & Solutions



Kaba's Public Systems & Solutions division provides specific solutions for the controlled entry of visitors to public and leisure facilities. Reliable, fast and user-friendly equipment is an essential requirement. Kaba supplies suitable tripod barriers, turnstiles or special units in a variety of versions to match your needs: throughput rate, required level of security and setting. Our PSS products are compatible with virtually any ticket management system - from plain barcode tickets and cards to VIP-passes with biometric features.



We recommend automatic half-height doors in matching design to provide access for people with reduced mobility.

TPB tripod barriers

Kaba tripod barriers are TÜV approved for use in emergency escape routes and can be controlled from a central building management system. The tripod turns using a minimum of force in order to maintain pedestrian safety.

Power-assisted versions feature a patented fold-down device with automatic reset - a practical function, especially for stadiums and large venues with many units. In the case of an emergency the upper bar folds down automatically, leaving the way free. The unit automati-

cally resets when it powers up again, which means staff do not have to manually reconfigure each barrier when the emergency is over.

Advantages

- functional, fast and space-saving
- unit opens even under pressure
- version with fold-down arms and automatic reset
- sturdy versions for outdoor installation
- motor-driven versions for easy use



Fields of application

- Stadiums and sports facilities
- Swimming pools and thermal baths
- Gyms and fitness centres
- Amusement and theme parks
- Ski-lifts
- Exhibition centres and trade fairs
- Zoos
- Museums
- Casinos
- Public transport



TPB-M01 tripod barrier with exit control station

Specially developed for swimming pools, thermal baths and gyms, the TPB-M01 provides excellent access control as well as two further exit control features: chip-coin collection and payment control, both designed to lighten the workload of reception staff.

Visitors insert their chip-coins into the box in the tripod barrier. The cash system checks the information stored in the chip and activates the release if valid.

If the chip-coin is rejected (for instance when the time permitted has been exceeded), the visitor can collect the chip-coin and pay the amount due.

Advantages

- lightens the workload of reception staff
- easy to use due to clear light signals
- can be combined with many ticket management systems



TPB-M03 tripod barrier with integrated pay machine

This solution for access to sanitary facilities was specially developed for establishments with increased customer flow, such as catering facilities, hotels, railway stations and public toilets. Once the guest has paid the specified fee at the pay machine the tripod barrier lets the customer access the sanitary area. The system is equipped with a receipt issuing system, based on the payback principle. The customer pays the amount

due for the use of the sanitary facilities and receives a voucher which can be redeemed when making purchases in the establishment's restaurant or store. A money-changing function is also available on request.

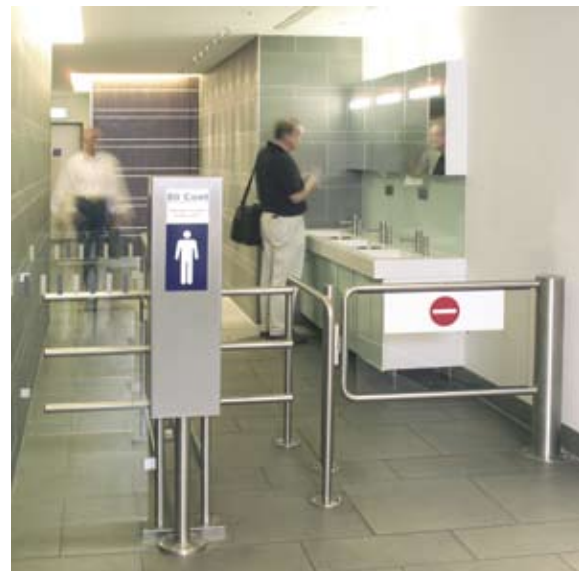


HTS half-height turnstiles

This functional turnstile is notable for its attractive stainless steel housing, ergonomically shaped for an optimised flow of visitors. The double unit provides a space saving solution thanks to its interlocking turnstile columns. Two different column sizes are available: either with three or with four rows of crossbars. Due to their stylish design these units are a favourite for entrance areas to swimming pools, spas and fitness centres.

Advantages

- attractive design for stylish entrance areas
- all-over stainless steel finish
- space-saving double unit
- smooth, silent operation
- available with 3 or 4 rows of crossbars



4

Fields of application

- Swimming pools and thermal baths
- Gyms and fitness centres
- Stadiums and sport facilities
- Amusement and theme parks
- Exhibition centres and trade fairs
- Zoos
- Museums
- Casinos
- Public sanitary facilities



HSG Half-height Sensor Gates

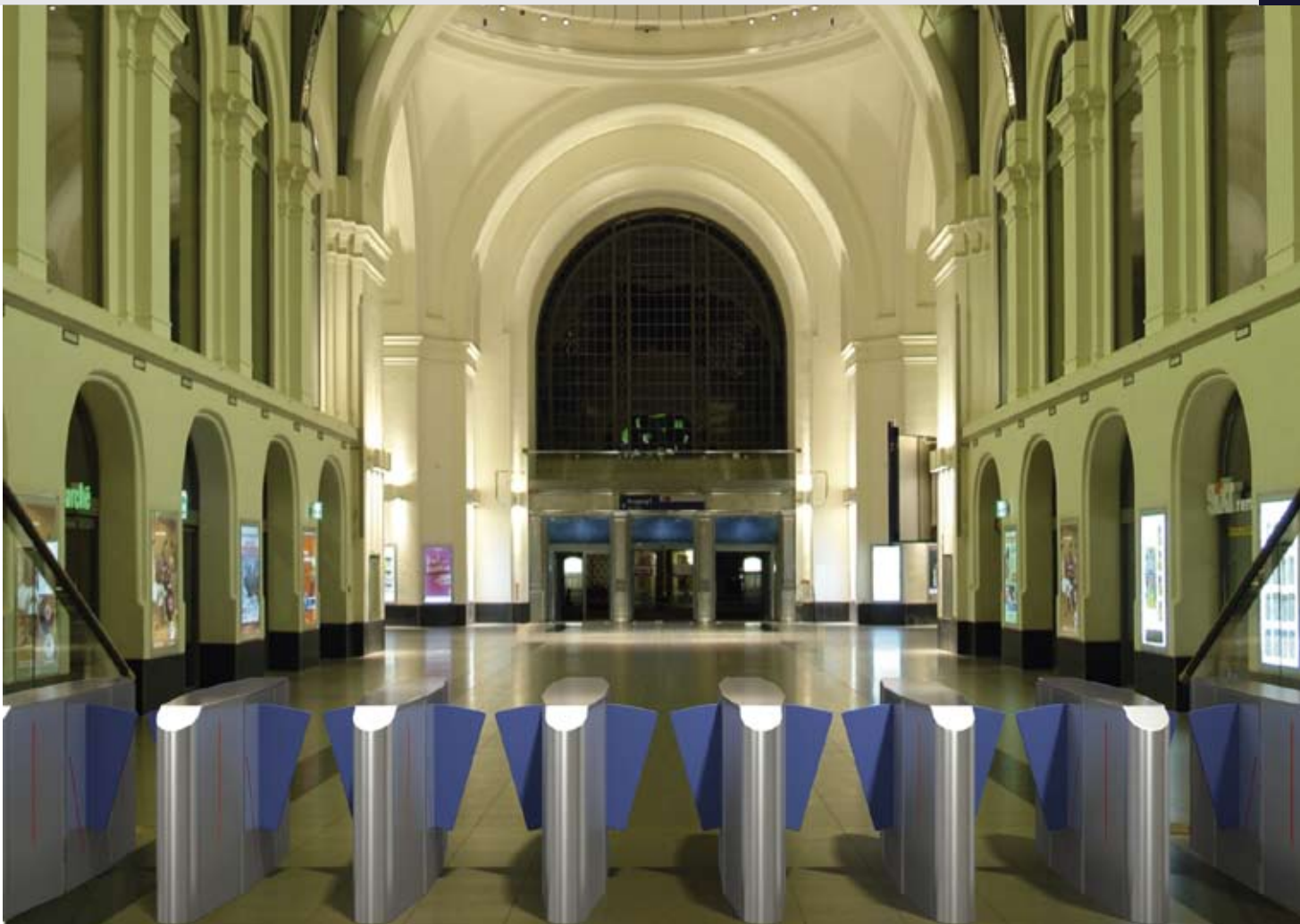
This unit consists of a sensor-controlled passageway with automatic sliding doors, which drive with a swift arch motion in the housing to let a person pass through. This allows for easy, quick and contactless access. Straight after someone passes through, the doors close again automatically to prevent unauthorised entry. At the same time, the unique sensor system guarantees a high level of protection for pedestrians: it detects pedestrians accurately, preventing lesions caused by the sliding panels.

Advantages

- unique protective sensor system: V-shaped sensor strips for highest pedestrian safety + vertical light grid for single file access
- high throughput rate
- easy, swift passage
- no contact with the panels
- high level of user acceptance

Fields of application

- Public transport
- Exhibition centres
- Thermal baths and pools
- Gyms and fitness centres
- Museums



FTS full-height turnstiles



Fields of application

- Stadiums and sports facilities
- Swimming pools
- Amusement and theme parks
- Zoos
- Open-air museums
- Bike parks

These units are particularly suited to secure public facilities with higher security requirements, such as football stadiums or venues for large events, as well as for perimeter protection around open-air pools.

Full-height turnstiles provide an optimum level of single-file access, together with the necessary sturdiness, as the units are mostly installed outdoors. Versions with three or four wings are available in a variety of designs.

Advantages

- functional, sturdy and weather-proof
- optimum regulation of single passage (with a minimum of staff supervision)
- patented end-point locking system prevents being locked in
- particularly space-saving as double unit
- turnstile column and bars made of stainless steel
- motor-driven versions
- versions with lockable shutters as protection against vandalism
- versions with integrated bike gate
- modular system: combinations of a variety of turnstile bars, roof elements, guiding and side panels possible



A smart solution for any entrance



Quick, sturdy and user-friendly - TPB tripod barriers manage admission to a stadium



An automatic swing door beside the tripod barrier provides access for people with reduced mobility



The TPB-MO1 unit provides automatic exit control in gyms and swimming pools without any additional staff support



Access to the pool area: a stylish solution with HTS half-height turnstiles



Sophisticated solution for stadiums - the FTS-L02 turnstile features lockable shutters to protect the reader and the unit against vandalism after the match:
... with shutters open





... with shutters closed

PSS product range

Fifteen versions, multiple options

Tripod barriers	TPB-E01	TPB-L06	TPB-L04	Option with base columns
				
Overall width in mm	770	1470	707	732
Housing	stainless steel	stainless steel	plastic	
Base columns	stainless steel	stainless steel	without	stainless steel
Arms	stainless steel	stainless steel	aluminium	
Power-assisted drive	standard	standard	-	
Outdoor installation	yes	yes	no	
Special feature			integrated signal device	

Tripod barriers	TPB-M01	TPB-M03	Half-height Sensor Gate	HSG-L01
				
Overall width in mm	770	770		1240
Housing	stainless steel	stainless steel		stainless steel
Base columns	stainless steel	stainless steel		stainless steel
Arms	stainless steel	stainless steel		door wings: polyurethane
Power-assisted drive	standard	standard		standard
Outdoor installation	no	no		no
Special feature	integrated key collector and display	integrated pay machine		integrated sensor system

Half-height turnstiles	HTS-L01	HTS-L02
		
Overall width in mm	1290	1790
Overall height in mm	1120 for 3 rows of bars 1380 for 4 rows of bars	1120 for 3 rows of bars 1380 for 4 rows of bars
Number of wings	4 (90°)	2 x 4 (90°)
Frame and rotating unit	stainless steel	stainless steel
End-point locking system	standard	standard
Power-assisted drive	standard	standard
Outdoor installation	yes	yes
Special feature	can be converted anytime into a HTS-L02	double unit, connecting elements made of glass

Full-height turnstiles

FTS-L01



FTS-L02



Overall width in mm	2050	2080
Number of wings	2 x 4 (90°)	2 x 4 (90°)
Portal and housing	steel and aluminium	steel and aluminium
Rotating unit	stainless steel	stainless steel
End-point locking system	standard	standard
Power-assisted drive	optional	optional
Protective roof	optional	standard
Special feature	double unit	lockable unit with motor-driven protective shutters

Full-height turnstiles

FTS-L03



FTS-L04



Overall width in mm	3040	1370
Number of wings	3 (120°)	4 (90°)
Portal and housing	steel and aluminium	steel and aluminium
Rotating unit	steel	stainless steel
End-point locking system	-	standard
Power-assisted drive	-	optional
Protective roof	protection against climbing over in entrance direction	optional
Special feature	exit turnstile, rotates only in exit direction	

Turnstiles with bike gate

FTS-M01



Overall width in mm	2440	
Number of wings	3 (120°)	
Crossbars	straight	optional: curved
Rotating unit	stainless steel	
End-point locking system	standard	
Power-assisted drive	standard	
Protective roof	optional	
Special feature	automatic bike gate	

The logo for KABA, featuring the word "KABA" in a bold, stylized, sans-serif font. The letters are white with a dark outline, and a registered trademark symbol (®) is positioned to the upper right of the letter "A".

KABA®

Kaba Gallenschütz GmbH
Nikolaus-Otto-Strasse 1
77815 Bühl
Germany
Tel. +49 (0) 7223/286-0
Fax +49 (0) 7223/286-111
info@kgb.kaba.com

www.kaba-gallenschuetz.de